



SERAC 105 Dining Table with HPL Top

Ø 41 1/3" H 28 1/3"

55 lbs

Powder coated stainless steel & HPL

SERAC 105 Dining Table with Ceramic Top

Ø 41 1/3" H 28 1/3"

84.4 lbs

Powder coated stainless steel & ceramic

SERAC: BASE



White



Anthracite

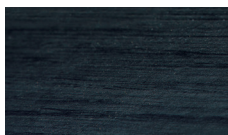
SERAC: TABLE TOP



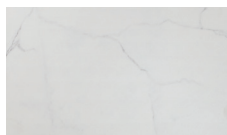
HPL White



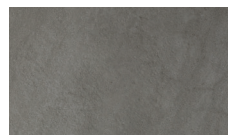
HPL Black



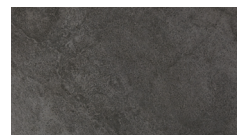
HPL Nordic Black



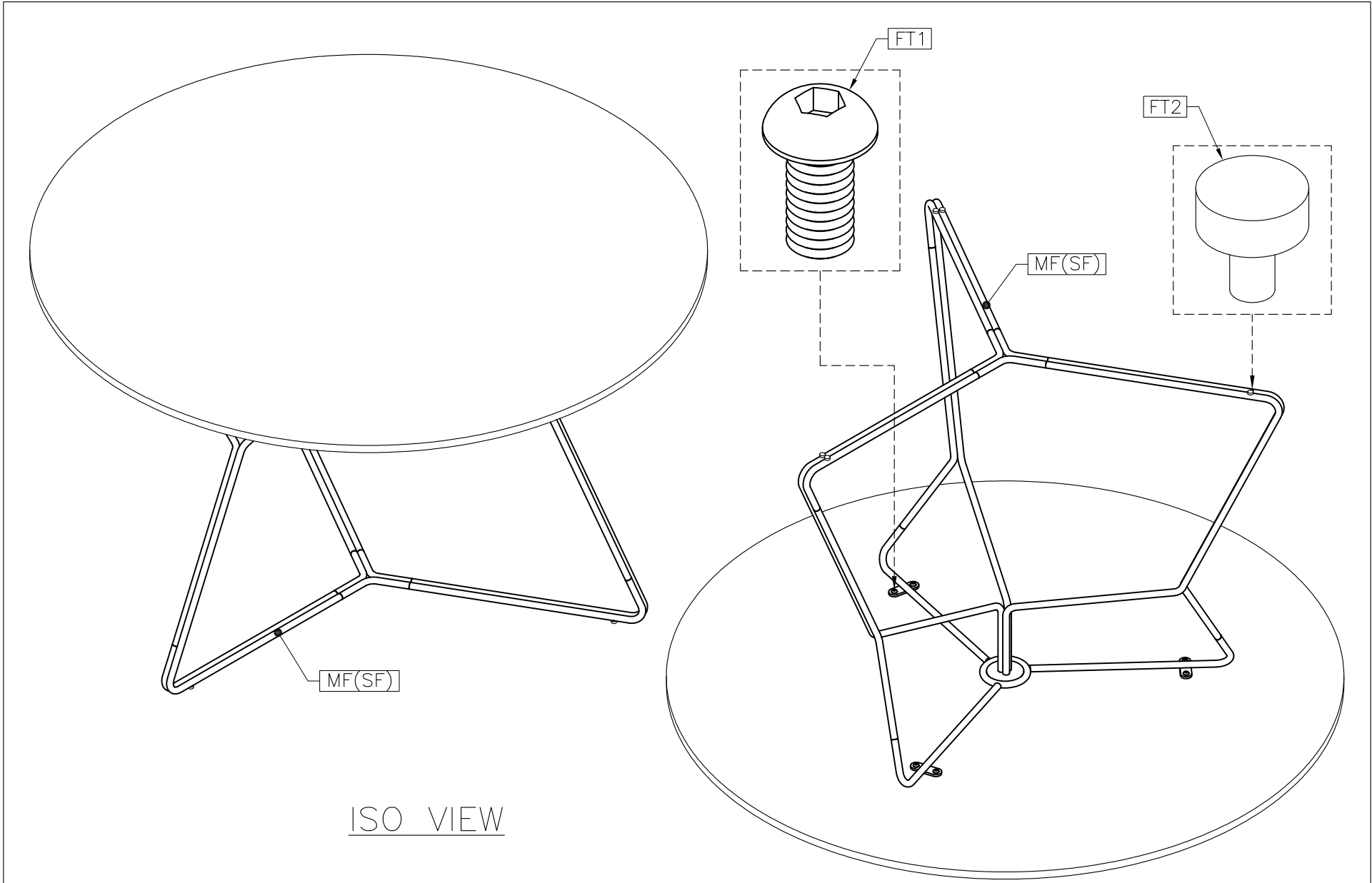
Ceramic White



Ceramic Grey

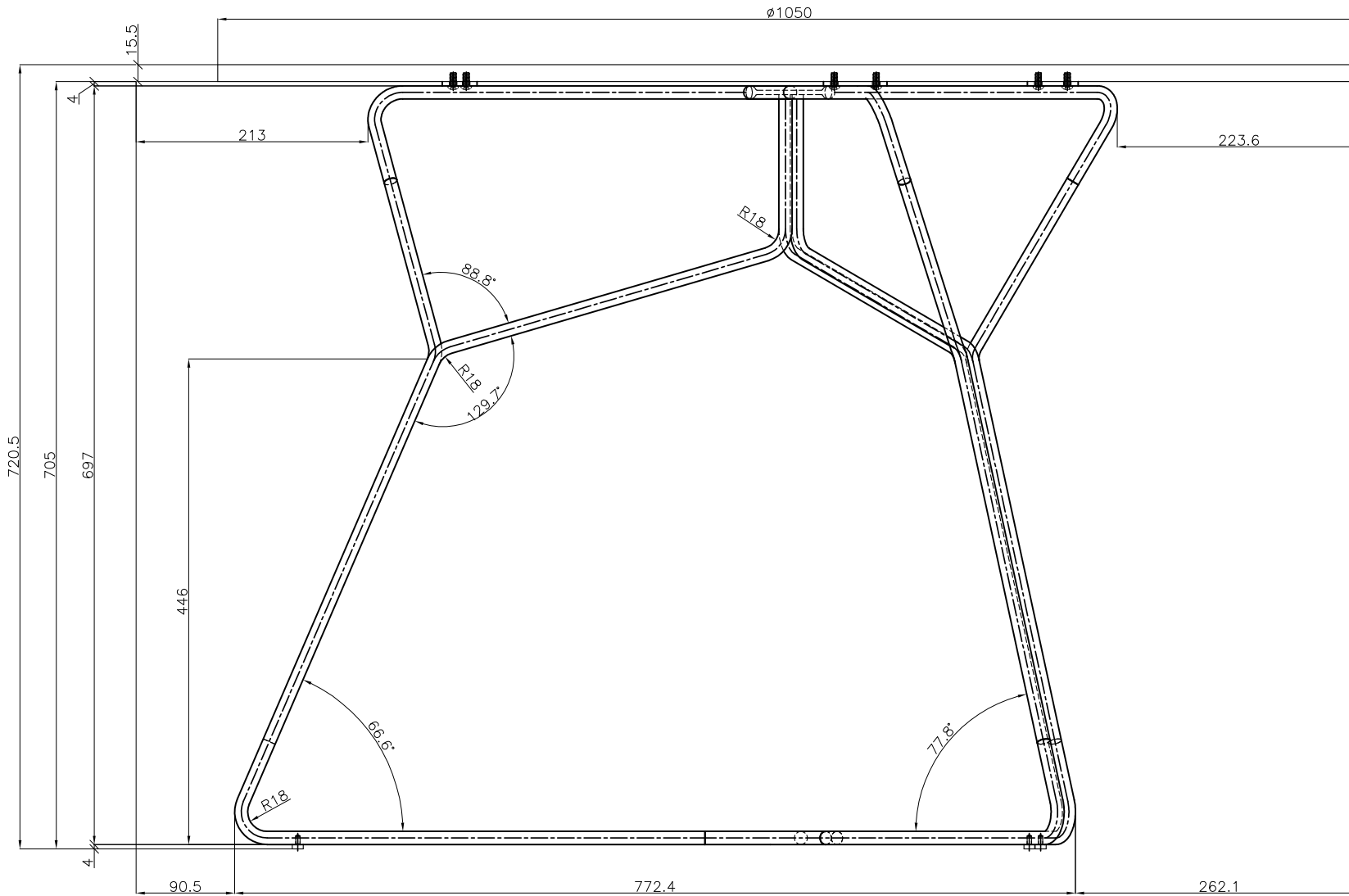


Ceramic Anthracite



ISO VIEW

OASIQ	DWG.NO: FAE0A11-4	TITLE : ISO VIEW	DIM EXT: ø1050x720.5 MM.	MATERIAL: SS304	DRAWN BY : Mr.Khanti	FINISH DATE : 10-12-14	KHAN	SCALE : 1:1	ISO P. 2
						BEGIN DATE : 8-05-14	ALGIN	⊕	



FRONT VIEW

EF

OASIQ

DWG.NO: FAEOA11-4

TITLE : FRONT VIEW

DIM EXT: $\phi 1050 \times 720.5$ MM.

MATERIAL: SS304

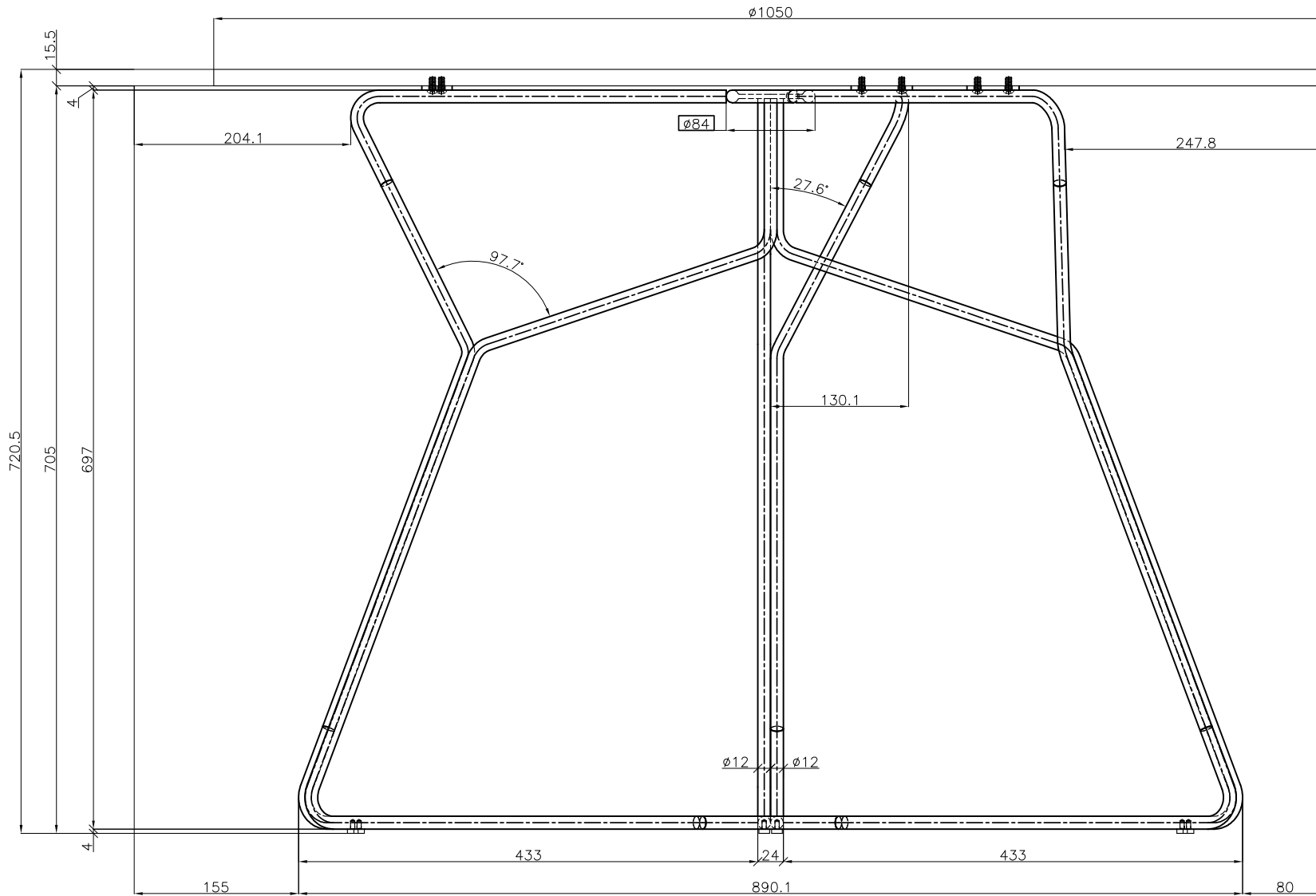
DRAWN BY : Mr.Khanti

FINISH DATE : 10-12-14
 BEGIN DATE : 8-05-14

KHAN
 ALGIN

SCALE : 1:1

P. 4



SIDE VIEW

ES

OASIQ

DWG.NO: FAEOA11-4

TITLE : SIDE VIEW

DIM EXT: $\phi 1050 \times 720.5$ MM.

MATERIAL: SS304

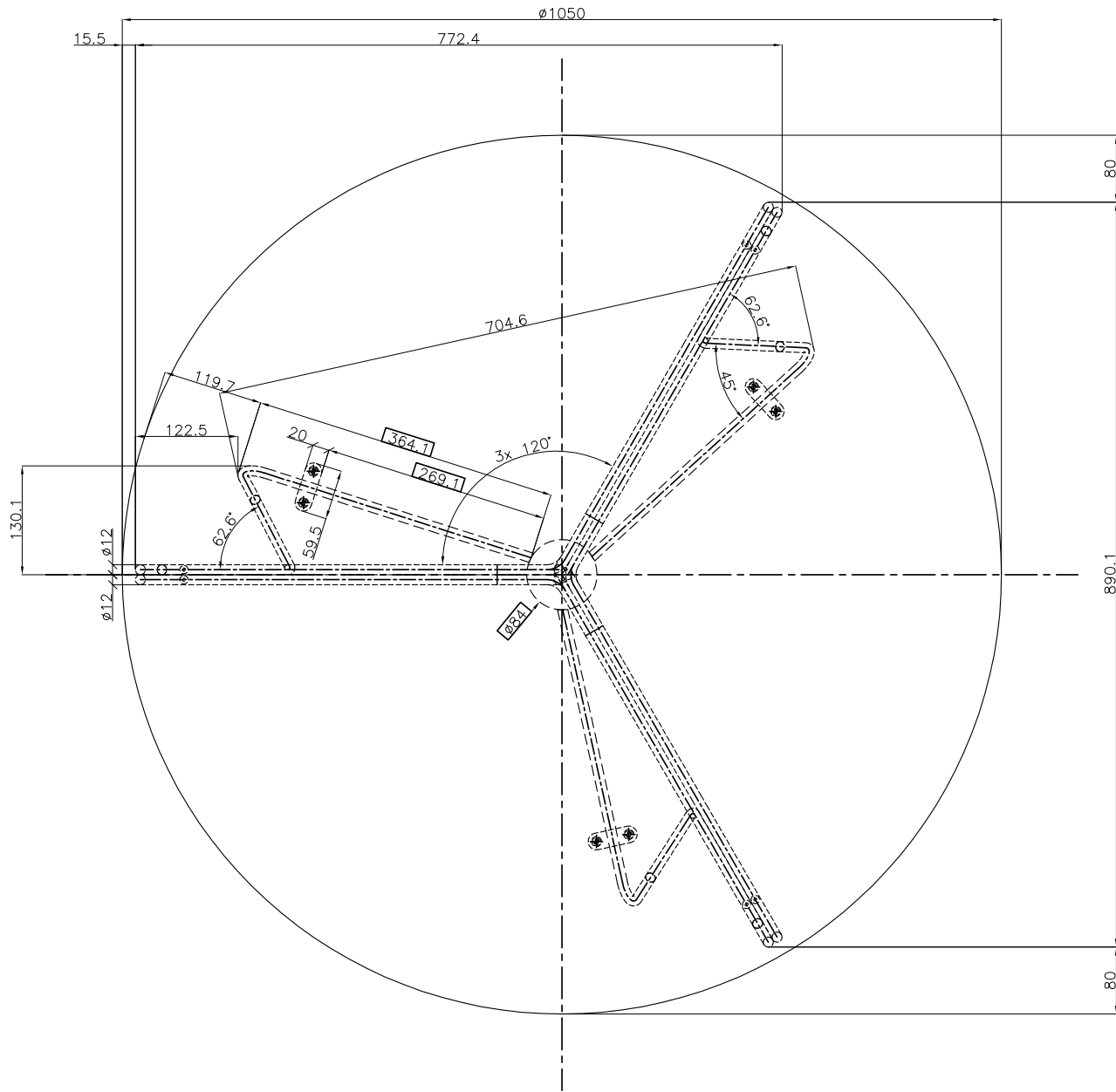
DRAWN BY : Mr.Khanti

FINISH DATE : 9-10-15
 BEGIN DATE : 8-05-14

KHAN
 ALGIN

SCALE : 1:1

P. 5



TOP VIEW

ET

OASIQ

DWG.NO: FAE0A11-4

TITLE : TOP VIEW

DIM EXT: \varnothing 1050x720.5 MM.

MATERIAL: SS304

DRAWN BY : Mr.Khanti

FINISH DATE : 9-10-15
 BEGIN DATE : 8-05-14

KHAN
 ALGIN

SCALE : 1:1

P. 3