



**SERAC 72 Dining Table with HPL Top**

Ø 28 1/2" H 28 1/3"

30 lbs

Powder coated stainless steel & HPL

**SERAC 72 Dining Table with Ceramic Top**

Ø 28 1/2" H 28 1/3"

49.3 lbs

Powder coated stainless steel & ceramic

**SERAC: BASE**

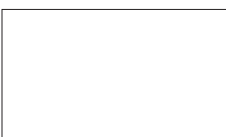


White



Anthracite

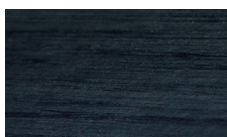
**SERAC: TABLE TOP**



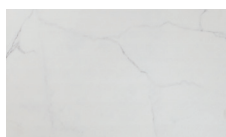
HPL White



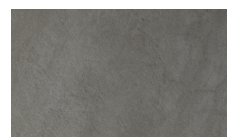
HPL Black



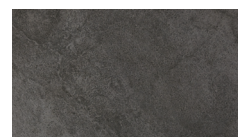
HPL Nordic Black



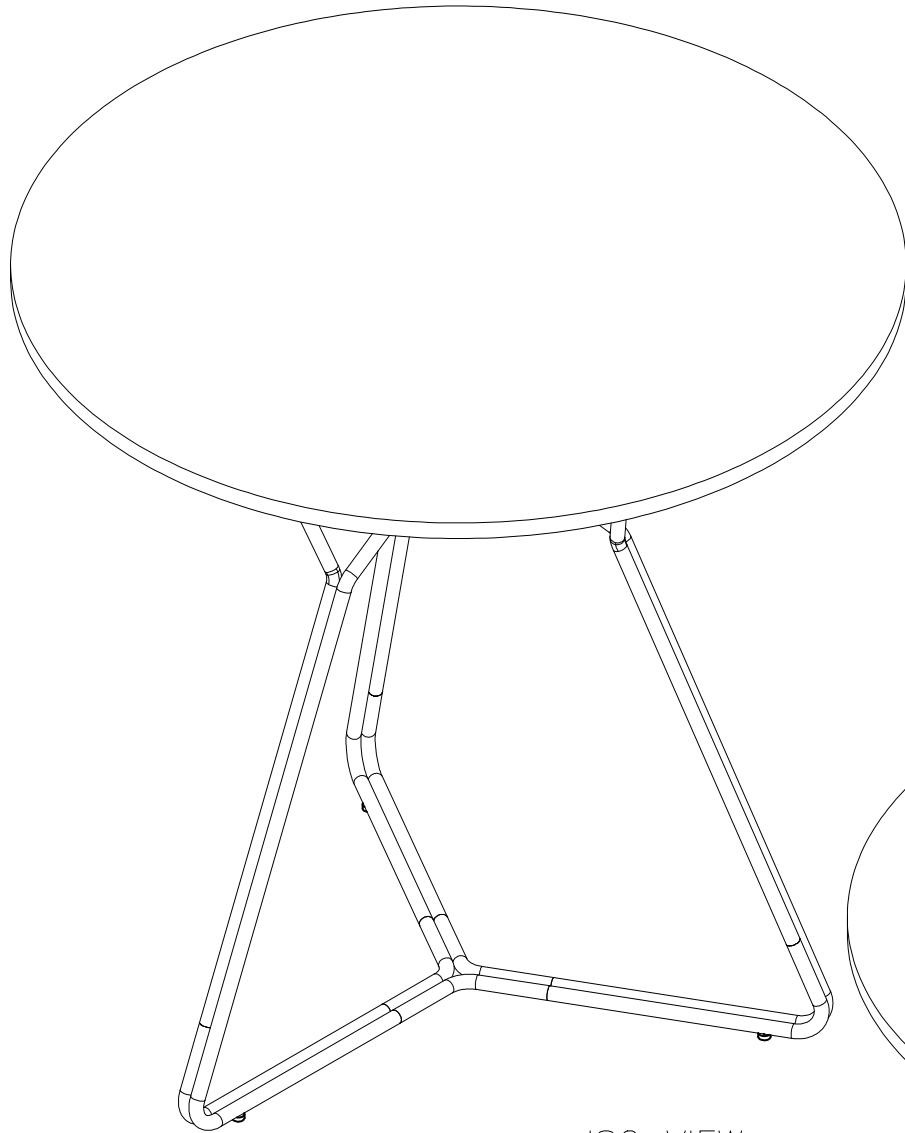
Ceramic White



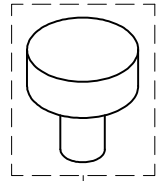
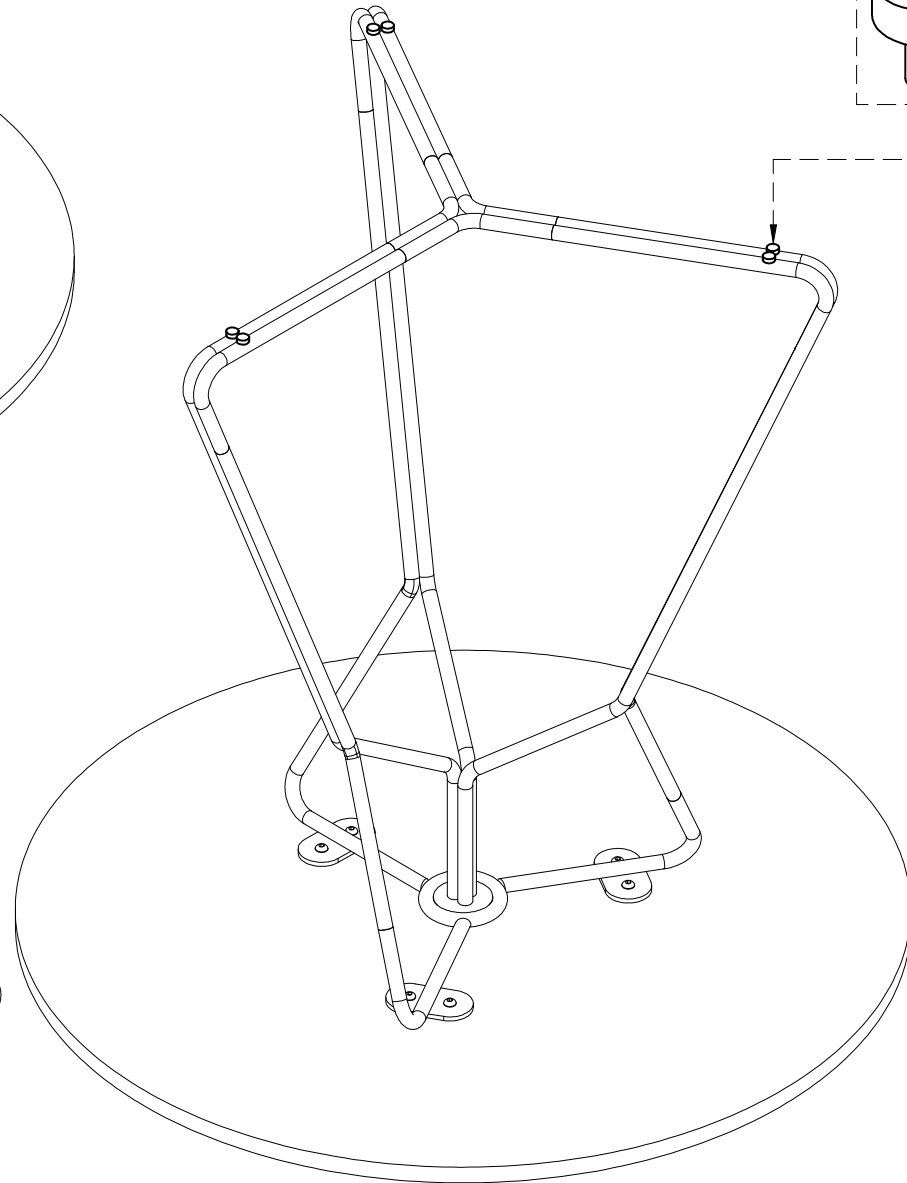
Ceramic Grey



Ceramic Anthracite



ISO VIEW



**OASIQ**

DWG.NO: FAE0A11-2

TITLE : ISO VIEW

DIM EXT:  $\varnothing 725 \times 714.5$  MM.

MATERIAL: SS304

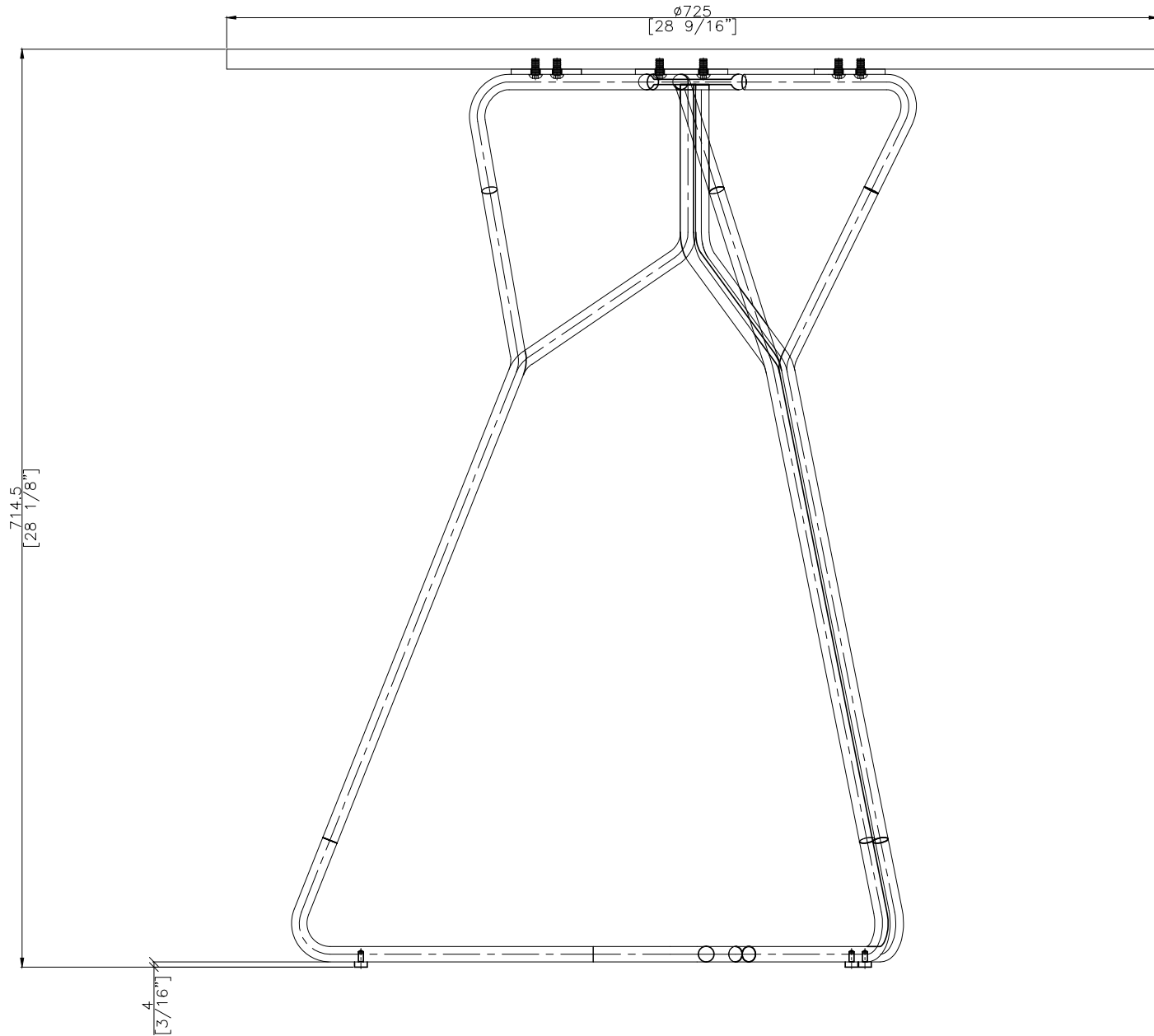
DRAWN BY : NATEE

FINISH DATE : 11-12-14  
BEGIN DATE : 29-11-13

NAT  
ALGIN

SCALE : 1:1  
⊕ ⊞

ISO  
P. 2



FRONT VIEW

EF

**OASIQ**

DWG.NO: FAE0A11-2

TITLE : FRONT VIEW

DIM EXT:  $\phi 725 \times 714.5$  MM.

MATERIAL: SS304

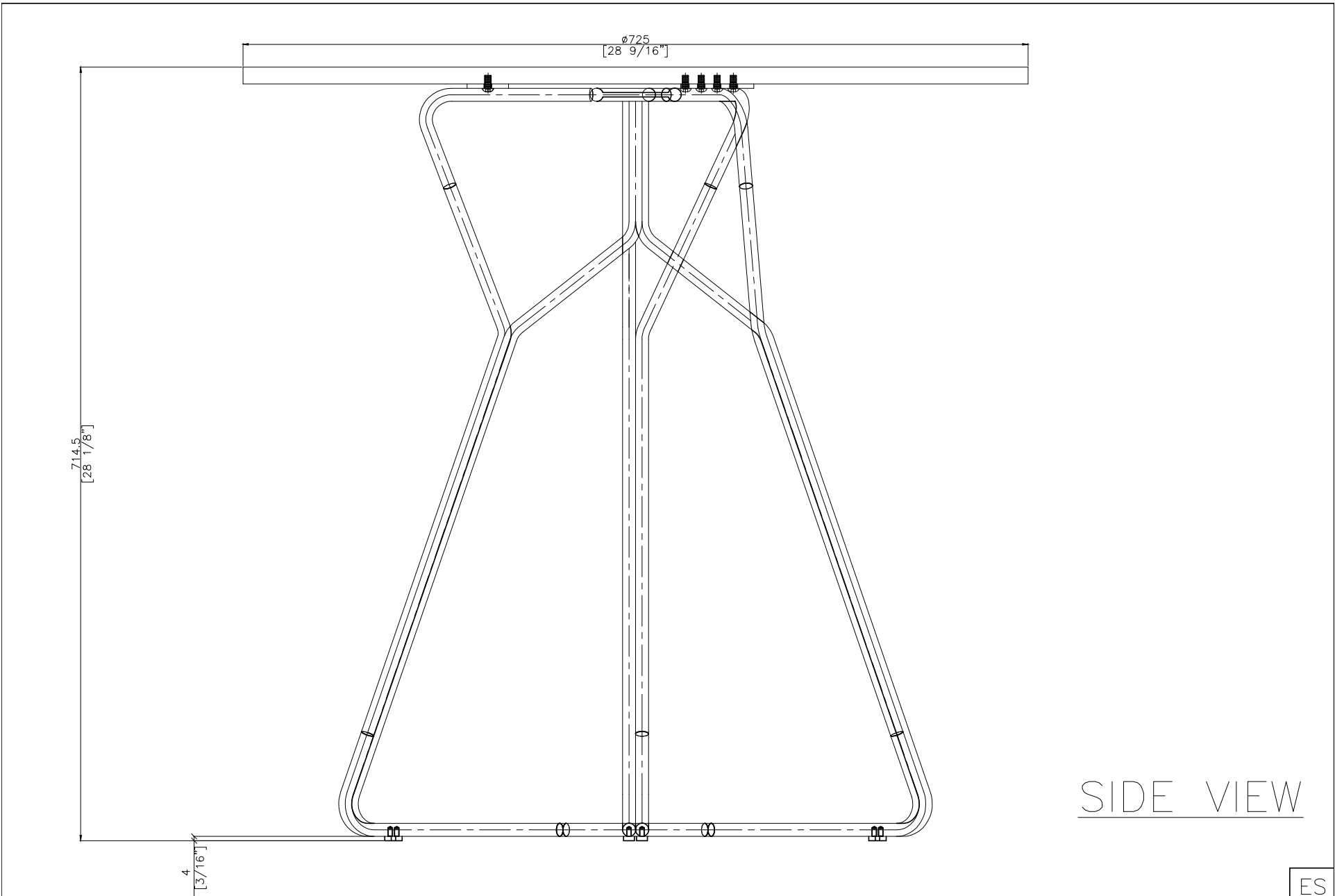
DRAWN BY : Mr.Khanti

FINISH DATE : 9-10-15  
BEGIN DATE : 29-11-13

KHAN  
ALGIN

SCALE : 1:1

P. 4



SIDE VIEW

ES

**OASIQ**

DWG.NO: FAE0A11-2

TITLE : SIDE VIEW

DIM EXT:  $\phi 725 \times 714.5$  MM.

MATERIAL: SS304

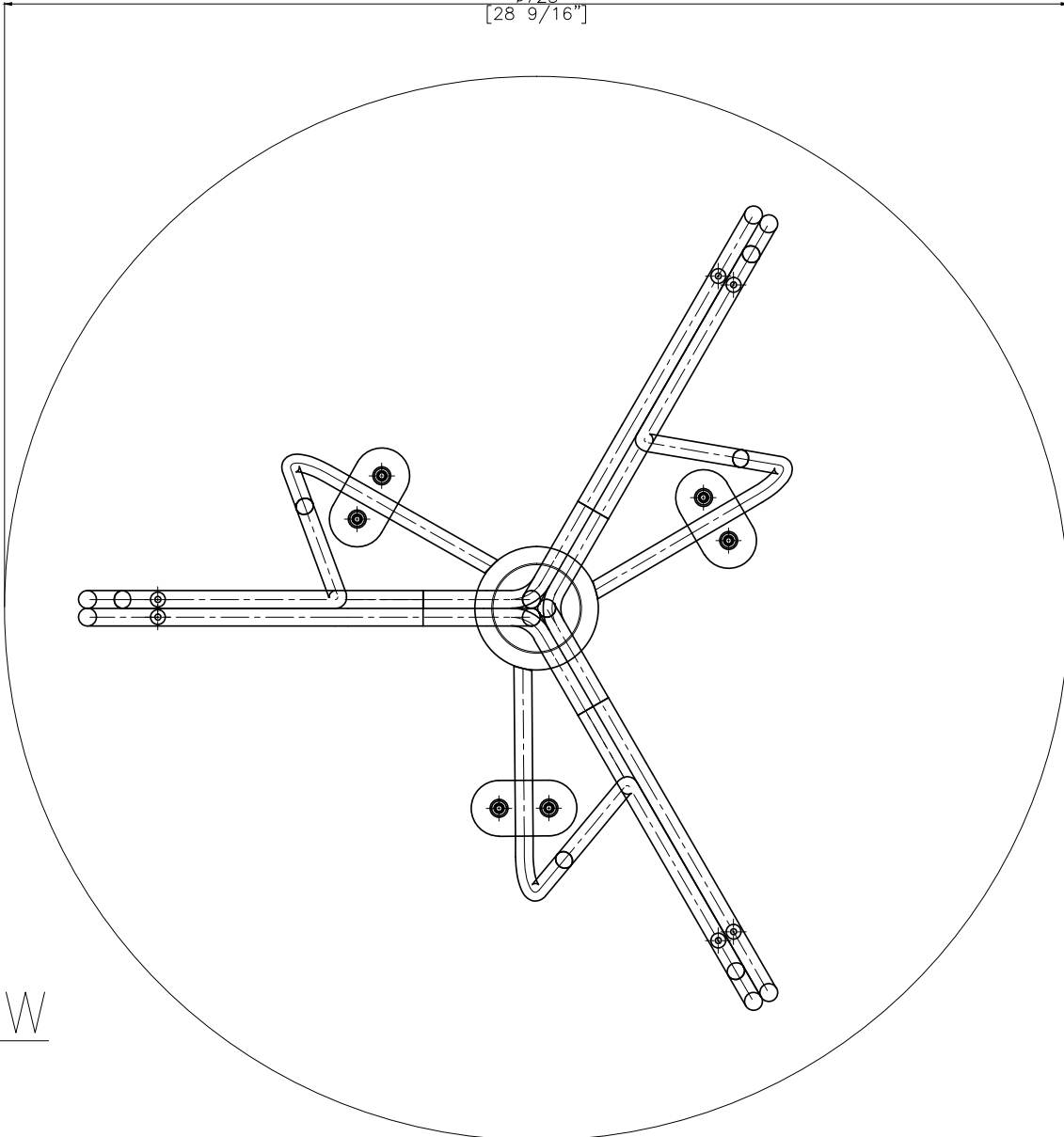
DRAWN BY : NATEE

FINISH DATE : 11-12-14  
 BEGIN DATE : 29-11-13

NAT  
 ALGIN  
 SCALE : 1:1

P. 5

Ø725  
[28 9/16"]



TOP VIEW

<b>OASIQ</b>	DWG.NO: FAE0A11-2	TITLE : TOP VIEW	DIM EXT: Ø725x714.5 MM.	MATERIAL: SS304	DRAWN BY : Mr.Khanti	FINISH DATE : 9-10-15	KHAN	SCALE : 1:1	ET
						BEGIN DATE : 29-11-13	ALGIN	⊕	